

## accessories

### Floating Switches

Simple to install, these switches are designed to control a pump to automatically fill or empty a water tank/cistern.

#### Fill or Empty

Can be used to control a pump for either:

- Tank filling (a high level cutout)
- Tank emptying (a low level cutout)
- Available with 3 or 5 metre cable lengths

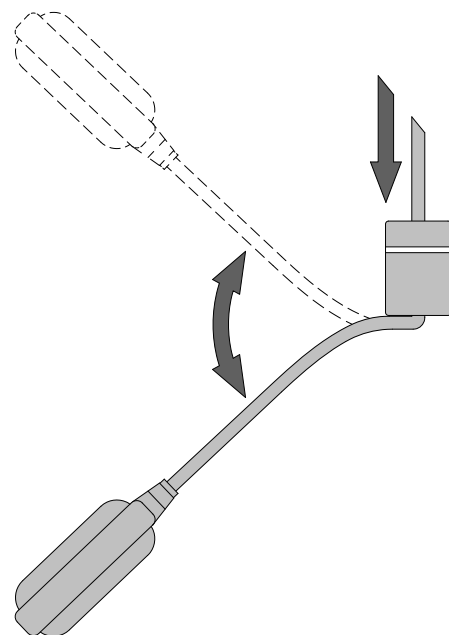


#### Features

- IP68 rated
- Reliable and easy to install
- 3 m or 5 m cable length options
- Float adjustment weight

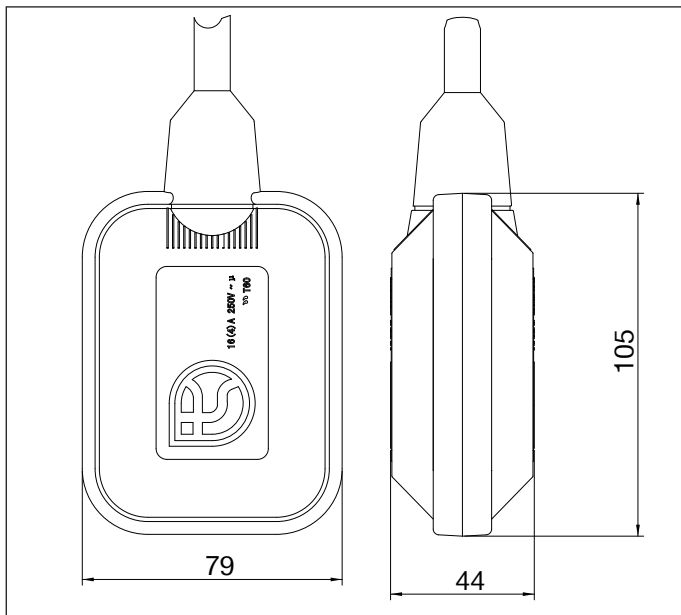
#### Application

Settings to alter changes in water level are easily achieved by adjusting the weight fitted on the float cord at the time of assembly.



# accessories

Model		Floating Switch 19638	Floating Switch 19639
General	Guarantee	1 year	
Features	Switch type	Fill/Empty	Fill/Empty
Performance	Min / Max water temperature	Min 4 °C / Max 50 °C	
Electrical	Switching voltage	110-250 V a.c.	
	Switching Current (full load)	16 Amps (resistive), 4 Amps (inductive)	
	Cable (pre-wired)	3 metres	5 metres
Physical	Enclosure protection	IP68	
	Length	105 mm	
	Width	79 mm	
	Height (excluding hoses)	44 mm	
	Weight (including fittings)	0.68 Kg	0.88 Kg

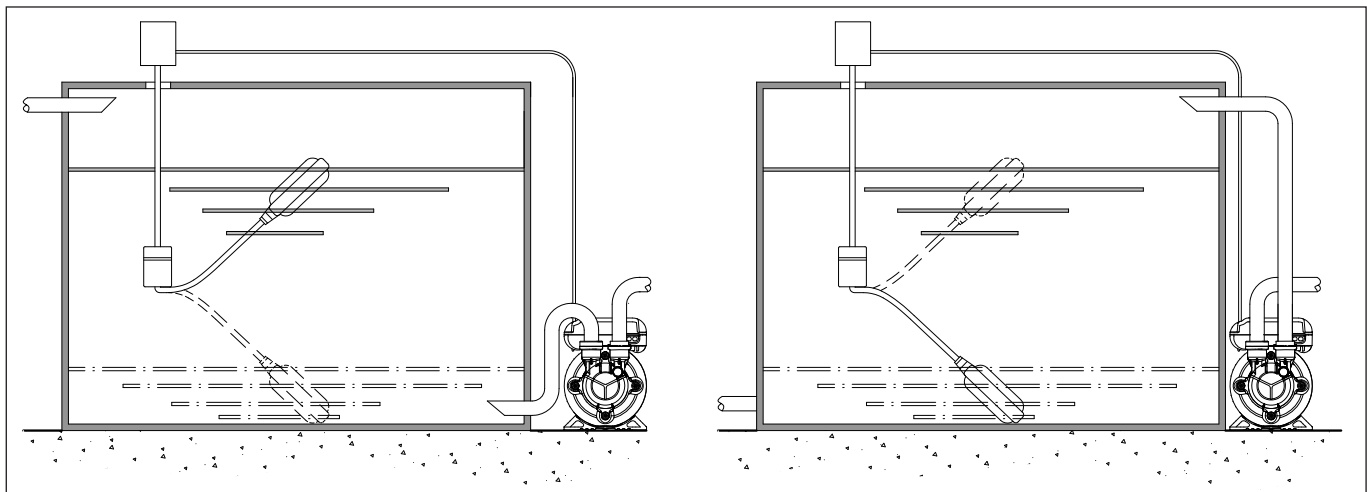


Note: For control of a pump with a full load in excess of 4 Amps, the Floating Switch must be wired through a connector relay.

All switches come complete with a height adjustable setting weight.

## Operating Conditions

The diagram below shows a typical fill or empty installation for the Floating Switches.



Stuart Turner Limited reserves the right to amend specifications without notice.