

stuart

Submersible Pumps

The Supersub 230A submersible pump provides a solution to most general purpose applications. Incorporates an adjustable float switch, providing automatic pump control.

The Supersub 230A pump is not suitable for foul sewage.

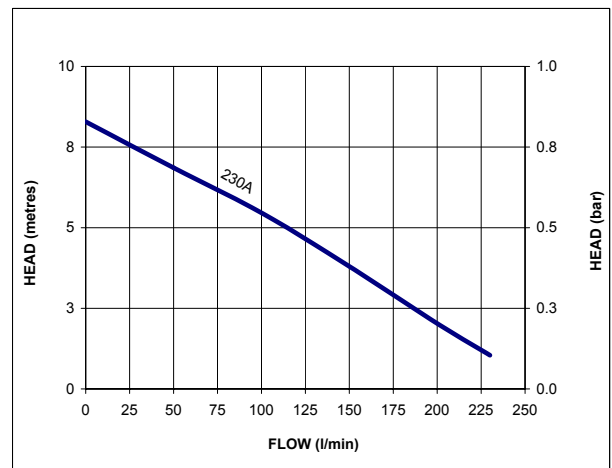


Features

- External adjustable float switch
- 25 or 32 mm bore hose connector
- Suction to a remaining depth of 90 mm
- Passes suspended particles up to 5 mm diameter
- Top vertical outlet connection

Application

- The Supersub 230A is suitable for clean water, rain water, waste water or pond applications.

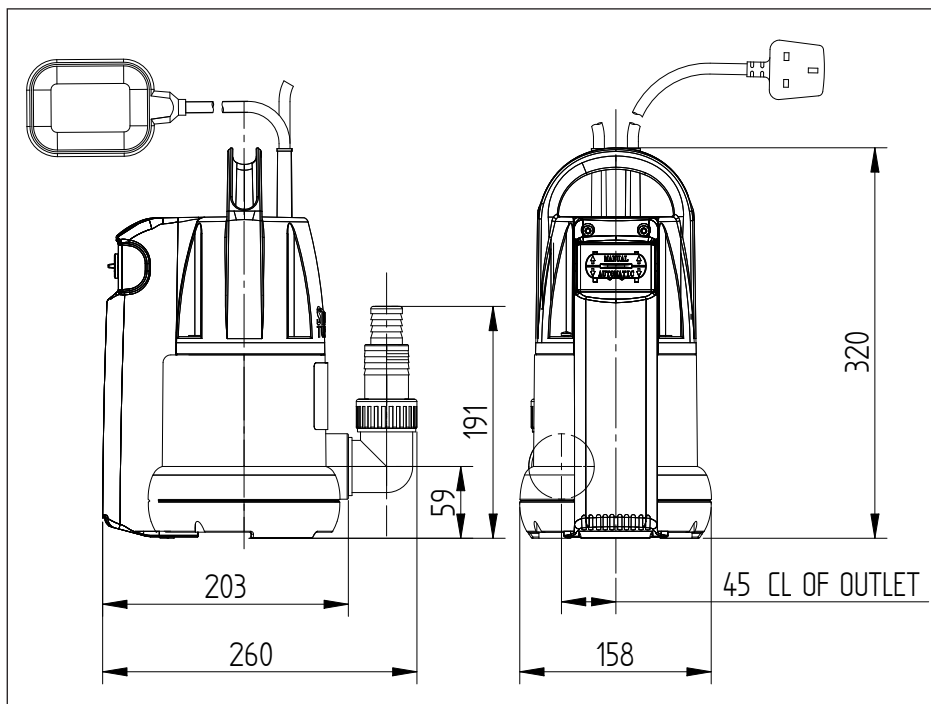


For further advice on selecting the correct pump call or e-mail info@stpumps.co.uk

pumpassist
HELPLINE +44 (0) 844 98 000 97

stuart

Pump Model		Supersub 230A 46540
General	Guarantee	1 year
Features	Pump type	Submersible
	Seal	Double lip
	Automatic float switch	✓
Performance	Maximum head (closed valve)	8.3 metres
	Maximum immersion depth	7 metres
	Minimum immersion depth	90 mm
	Performance @ 50 l/min	6.9 metres
	Performance @ 100 l/min	5.4 metres
	Maximum flow	230 l/min
	Min / Max water temperature	Min 4 °C / Max 35 °C
Connections	Pump connections	G 1½ female
	Hose Connector	G 1 male x G 1½ female x 25 or 32 mm bore hose
Motor	Type	Induction, auto-reset thermal trip
	Duty rating	Continuous
Electrical	Power supply / phase / frequency	230 V a.c. / 1 / 50 Hz
	Current (full load)	2.1 Amps
	Power consumption	466 Watts
	Fuse rating	13 Amps
	Power cable (pre-wired)	10 metres
Physical	Enclosure protection	IPX8
	Length	260 mm
	Width	158 mm
	Height (excluding hoses)	320 mm
	Weight (including fittings)	5.3 Kg
Optional accessories	Lay flat hose 32 mm x 5 m	Pt No 19965
	Lay flat hose 32 mm x 10 m	Pt No 19966



Stuart Turner Limited reserves the right to amend specifications without notice.